

Flextec 350 (Construction) Dinse w CE Filter - 12678

Beta

Multi Process - Non-Released

Flextec 350 (Construction) Dinse w CE Filter - 12678

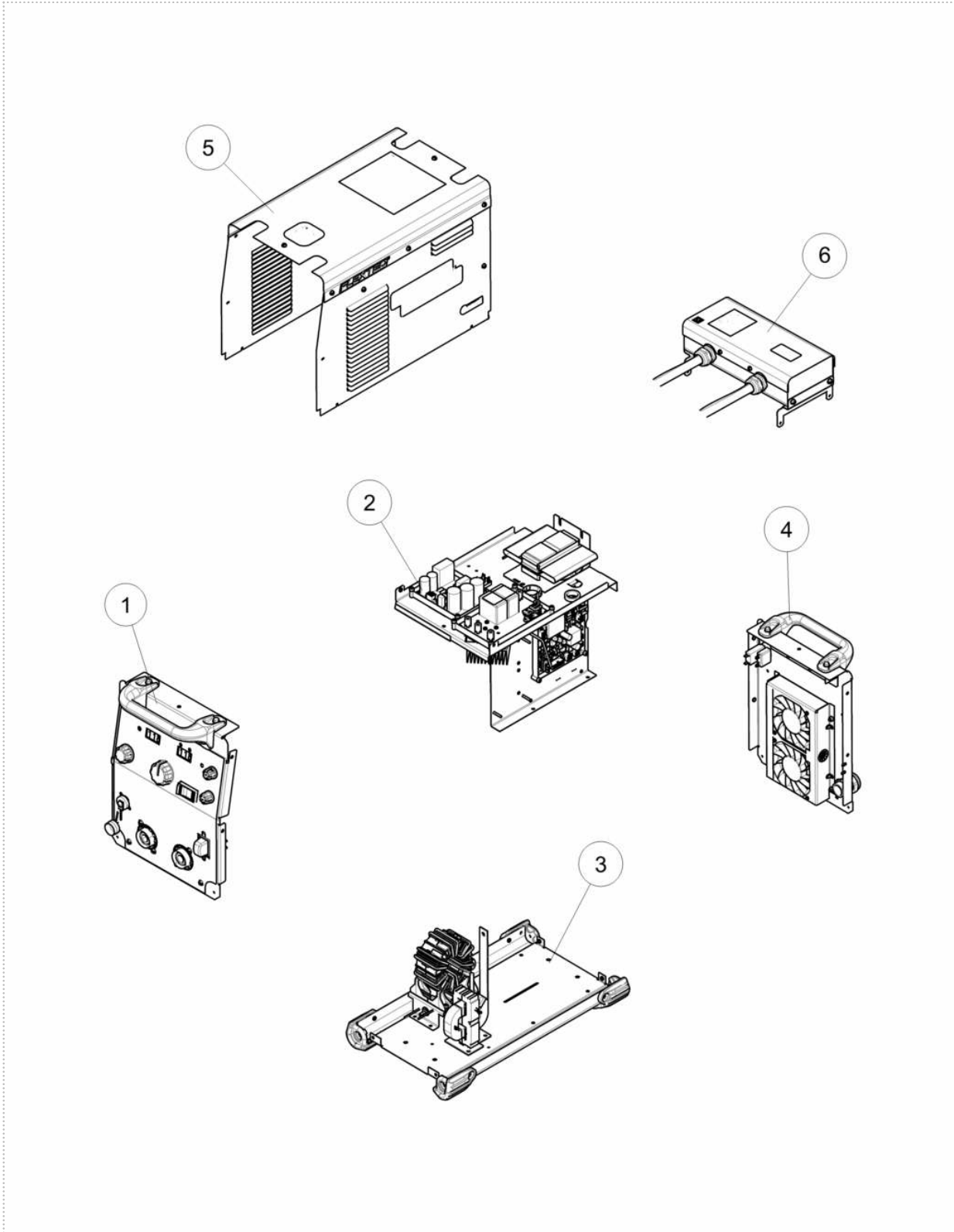
Index of Sub Assemblies - 12678	1
Case Front Assembly	3
Deck, PLC/Switch, & Rectifier Assembly	6
Base, Choke, & Transformer Assembly	9
Case Back Assembly	11
Wraparound Assembly	13
CE Filter Assembly	15

THIS PAGE INTENTIONALLY LEFT BLANK

Index of Sub Assemblies - 12678

KEY	PART NUMBER	DESCRIPTION	QTY
	P-1130-A	INDEX OF SUB ASSEMBLIES	AR
1	P-1130-C	CASE FRONT ASSEMBLY	AR
2	P-1130-D	DECK PLC/SWITCH & RECTIFIER ASSEMBLY	AR
3	P-1130-E	BASE CHOKE & TRANSFORMER ASSEMBLY	AR
4	P-1130-F	CASE BACK ASSEMBLY	AR
5	P-1130-G	WRAPAROUND ASSEMBLY	AR
6	P-1130-H	CE FILTER ASSEMBLY	AR

Index of Sub Assemblies - 12678



P-1130-A.jpg

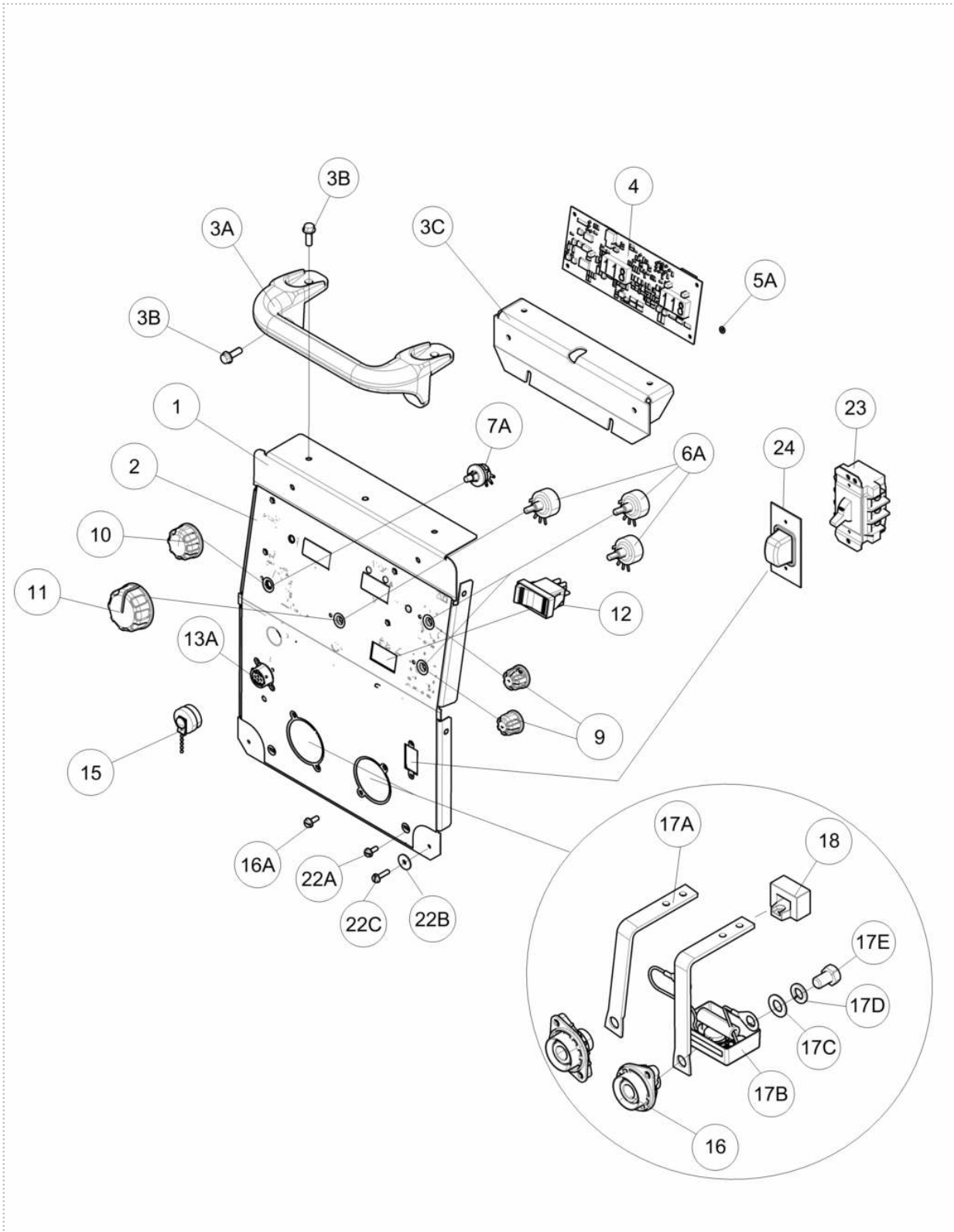
Case Front Assembly

KEY	PART NUMBER	DESCRIPTION	QTY
	9SG8119-12	CASE FRONT ASSEMBLY	1
1	9SG8115-4	CASE FRONT	1
2	9SG8470-1	NAMEPLATE	1
3A	9SG6525-3	HANDLE	1
3B	9SS9225-66	SELF TAPPING SCREW	4
3C	9SM22463-3	HANDLE SUPPORT	1
4	9SS31633-4	UI PC BD ASBLY	1
5A	9SS9262-97	PLAIN WASHER	4
	9ST10082-30	SEMS SCREW	4
	9SM25628-1	CONTROL HARNESS	1
6A	9ST10812-119	POTENTIOMETER	3
	9SM25644-1	PLUG & LEAD ASBLY	1
7A	9SS16670-10	ROTARY SWITCH	1
9	9SM22778-1	KNOB 1.0"	2
10	9SM22778-2	KNOB 1.5"	1
11	9SM22778-3	KNOB	1
12	9ST10800-70	ROCKER SWITCH	1
	9SG8473	MAIN HARNESS	1
13A	9SS12021-78	CABLE CONNECTOR	1
	9SCF000339	#4-40X.375PPNHS	2
	9ST9695-2	LOCKWASHER	2
	9SCF000002	#4-40HN	2
15	9SS17062-12	CONNECTOR CAP	1
16	9SM13896-3	OUTPUT TERMINAL MOLDING	2
16A	9SS9225-100	SELF TAPPING SCREW	4
17A	9SS31144	POS LEAD	2
17B	9SS25304-10	NOISE SUPPRESSOR ASSEMBLY	1
	9ST11577-46	CAPACITOR-CERAMIC DISC	2
	9ST13640-16	METAL OXIDE VARISTOR	1
	9ST13640-18	MOV	2
	9SS10404-129	RESISTOR	1
	9SS18858-5	SUPPRESSOR ASBLY	2
17C	9SS9262-1	PLAIN WASHER	2
17D	9SE106A-15	LOCKWASHER	2

Case Front Assembly

KEY	PART NUMBER	DESCRIPTION	QTY
17E	9SCF000020	1/2-13X.75HHCS	2
	9SS31590	CURRENT TRANSDUCER ASBLY	1
18	9SS18504-16	CURRENT TRANSDUCER	1
	9SS23093-1	LED LENS CLEAR	1
	9SS23094-1	RETAINING O RING	1
	9SCF000010	#10-24HN	2
	9SE106A-15	LOCKWASHER	1
22A	9SS9225-99	SELF TAPPING SCREW	2
22B	9SS9262-182	PLAIN WASHER	2
22C	9SS9225-100	SELF TAPPING SCREW	2
23	9SS20030	LINE SWITCH	1
24	9SS25384-1	SWITCH COVER - WEATHER RESISTANT	1
	9SE106A-13	LOCKWASHER	2
	9SCF000411	#6-32 X .75 RHS	2

Case Front Assembly



P-1130-C.jpg

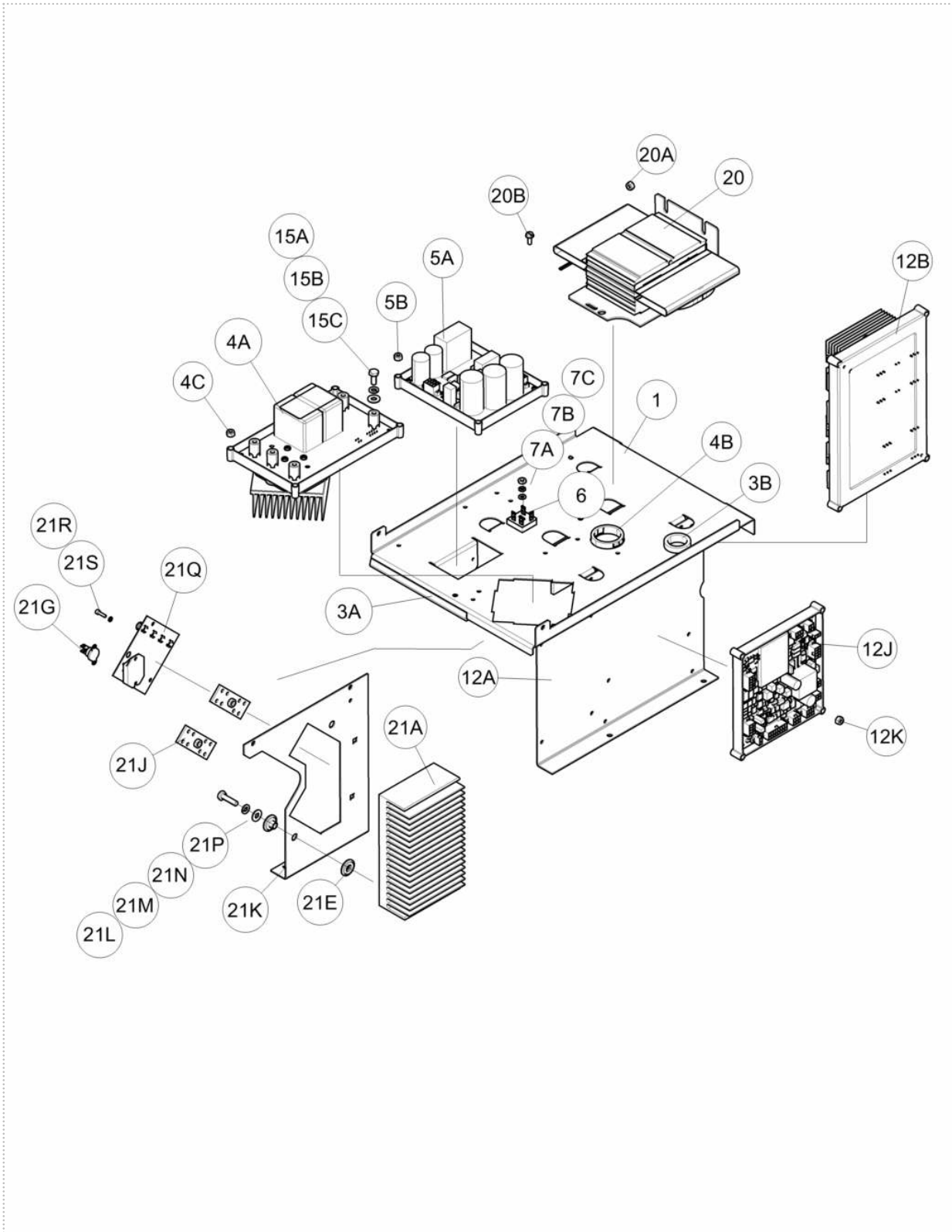
Deck, PLC/Switch, & Rectifier Assembly

KEY	PART NUMBER	DESCRIPTION	QTY
	9SL16744-1	DECK ASSEMBLY	1
1	9SL16857	DECK	1
	9SS15122-15	RELAY	1
	9SS8025-98	SELF TAPPING SCREW	2
3A	9ST11019-5	RUBBER CHANNEL	1
3B	9ST12380-8	BUSHING	1
4A	9SM25316-1	INPUT PC BD ASBLY	1
4B	9ST12380-1	BUSHING	1
4C	9ST9187-13	#10-24HLN-1817/1-NYLON INSERT	4
5A	9SL16904-1	40V DC BUS BD ASBLY	1
5B	9ST9187-13	#10-24HLN-1817/1-NYLON INSERT	4
6	9ST13637-6	DIODE-BRIDGE35A400VF-W1-PH	1
7A	9SE106A-1	LOCKWASHER	1
7B	9SS9262-3	PLAIN WASHER	1
7C	9SCF000010	#10-24HN	1
	9SM25630	PLUG & LEAD ASBLY	1
	9SM25631	PLUG & LEAD ASSEMBLY	1
	9SS18250-1098	PLUG & LEAD ASSEMBLY	1
	9SS9225-99	SELF TAPPING SCREW	4
	9SM25384	VERTICAL DIVIDER PANEL	1
	9SG8114-4	PLC/SWITCH ASSEMBLY	1
12A	9SL16729-1	CONTROL BOARD PANEL	1
12B	9SL16716-1	SWITCH BOARD PC BD ASBLY	1
	9ST9187-13	#10-24HLN-1817/1-NYLON INSERT	4
	9SM25633	PLUG AND LEAD ASBLY	1
	9SM25634	PLUG & LEAD ASSEMBLY	1
12J	9SS31839-1	CONTROL BOARD ASBLY	1
12K	9ST9187-13	#10-24HLN-1817/1-NYLON INSERT	3
	9SM25641	PLUG & LEAD ASSEMBLY	1
15A	9SE106A-2	LOCKWASHER	5
15B	9SS9262-98	PLAIN WASHER	5
15C	9SCF000013	1/4-20X.625HHCS	5
20	9SL16925-2	AUX TRANSFORMER ASBLY	1
20A	9ST9187-13	#10-24HLN-1817/1-NYLON INSERT	2

Deck, PLC/Switch, & Rectifier Assembly

KEY	PART NUMBER	DESCRIPTION	QTY
20B	9SS9225-99	SELF TAPPING SCREW	1
	9SM25358	OUTPUT RECTIFIER ASBLY	1
21A	9SM25357	OUTPUT RECTIFIER HEATSINK	1
	9SE106A-13	LOCKWASHER	8
	9ST9447-87	SOCKET HEAD CAP SCREW #6-32X.50	8
21E	9SS29947	BUS BAR	2
	9SS29965-2	METRIC SEMS SCREW	16
21G	9ST13359-13	THERMOSTAT	1
	9SS8025-113	SELF TAPPING SCREW	2
21J	9ST11267-B	INSULATOR	2
21K	9SL16750-1	OUTPUT RECTIFIER PANEL	1
21L	9ST11267-A	INSULATOR	2
21M	9SS9262-98	PLAIN WASHER	2
21N	9SE106A-2	LOCKWASHER	2
21P	9SCF000015	1/4-20X1.00HHCS	2
21Q	9SS31685-1	BOOST SNUBBER BOARD	1
21R	9SE106A-13	LOCKWASHER	2
21S	9ST9447-87	SOCKET HEAD CAP SCREW #6-32X.50	2
	9SS9225-99	SELF TAPPING SCREW	4
	9SS23730-3	SPACER	2
	9SE106A-2	LOCKWASHER	2
	9SCF000014	1/4-20X.75HHCS	2
	9SCF000040	5/16-18X.75HHCS	1
	9SE106A-3	LOCKWASHER	1
	9SS29965-2	METRIC SEMS SCREW	4

Deck, PLC/Switch, & Rectifier Assembly

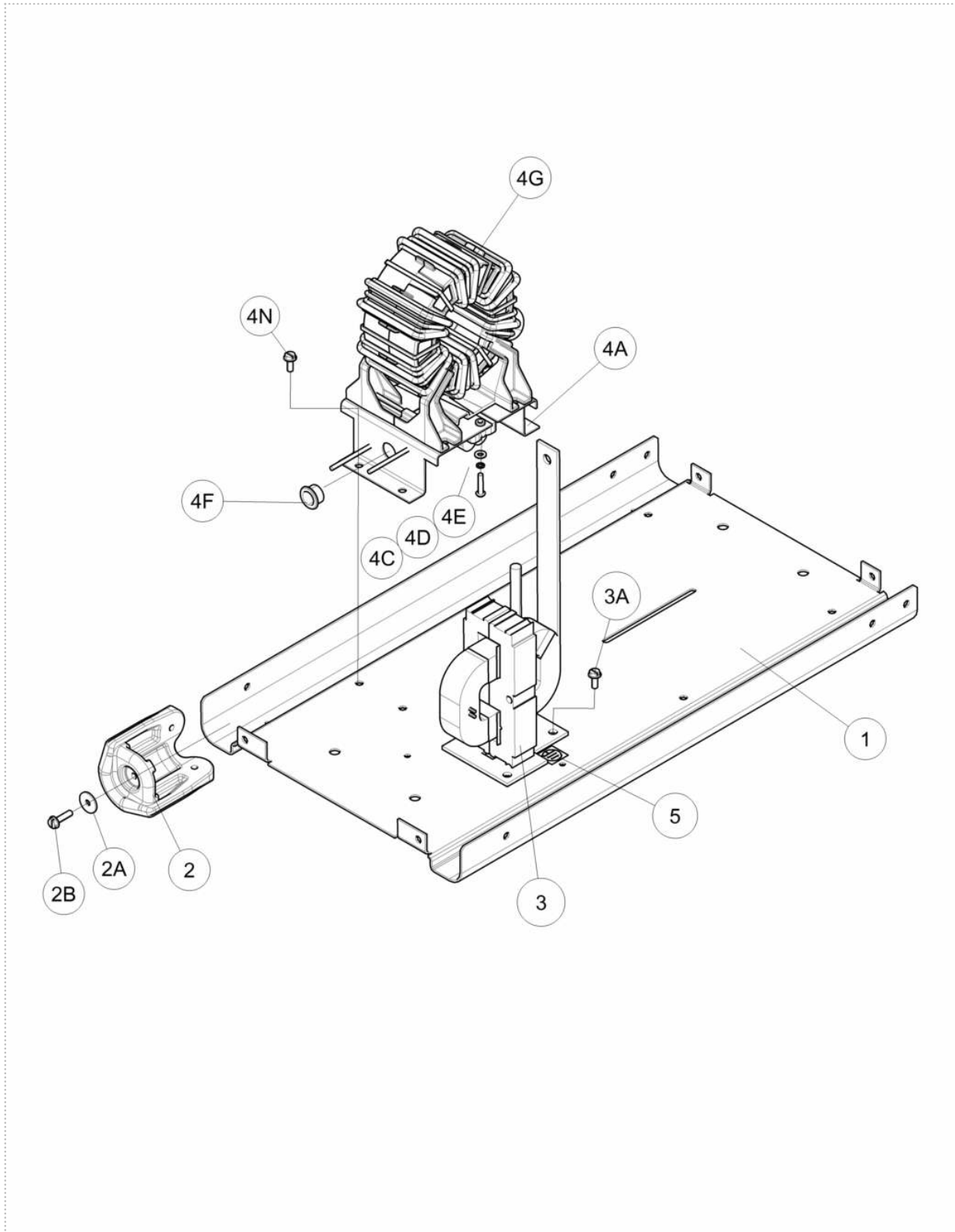


P-1130-D.jpg

Base, Choke, & Transformer Assembly

KEY	PART NUMBER	DESCRIPTION	QTY
1	9SG8110	BASE	1
2	9SL13138	CORNER CAP	4
2A	9SS9262-182	PLAIN WASHER	4
2B	9SS9225-100	SELF TAPPING SCREW	4
3	9SL10052-6	OUTPUT CHOKE ASBLY	1
3A	9SS9225-99	SELF TAPPING SCREW	3
	9SM25616-1	TRANSFORMER ASBLY	1
4A	9SS31408-2	TRANSFORMER BRACKET	2
	9SM16514-11	REACTOR ASSEMBLY	1
4C	9SS9262-3	PLAIN WASHER	2
4D	9ST4291-A	LOCKWASHER	2
4E	9SCF000096	#8-32X.75RHS	2
4F	9ST12380-3	BUSHING	1
4G	9SG8158	TRANSFORMER ASSEMBLY	1
	9ST9187-13	#10-24HLN-1817/1-NYLON INSERT	4
	9SCF000061	SCREW #10-24X.375RHS	1
	9SE106A-1	LOCKWASHER	1
	9SS9262-3	PLAIN WASHER	1
	9SCF000010	#10-24HN	1
4N	9SS9225-99	SELF TAPPING SCREW	4
	9SCF000010	#10-24HN	2
5	9ST13260-4	DECAL-EARTH GROUND CONN	1

Base, Choke, & Transformer Assembly

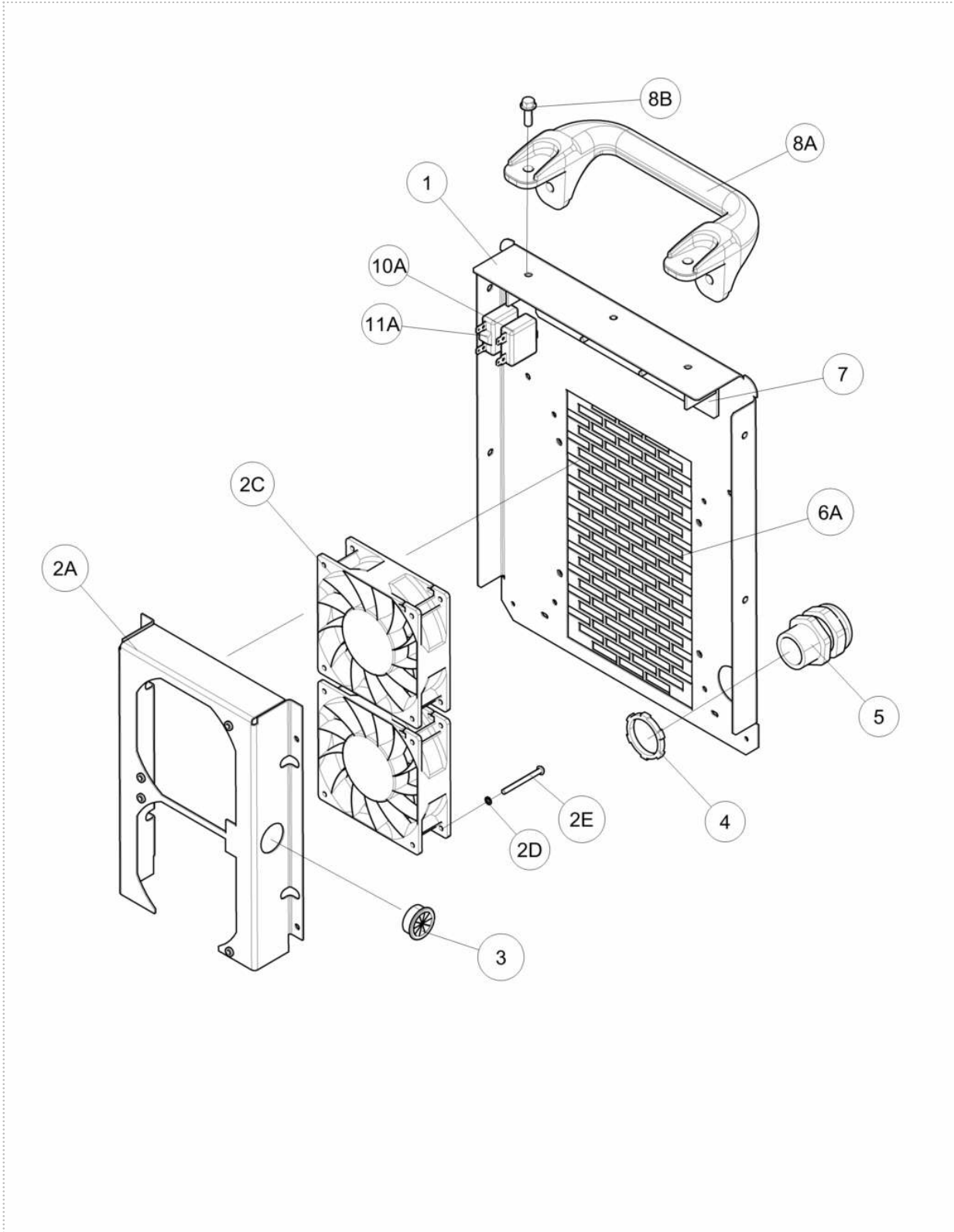


P-1130-E.jpg

Case Back Assembly

KEY	PART NUMBER	DESCRIPTION	QTY
	9SG8120-1	CASE BACK ASSEMBLY	1
1	9SG8116	CASE BACK	1
2A	9SL16941	FAN MOUNT	1
	9ST9187-13	#10-24HLN-1817/1-NYLON INSERT	4
2C	9SM25652	FAN ASBLY	2
2D	9ST4291-A	LOCKWASHER	4
2E	9SCF000209	#8-32X1.75RHS	4
3	9ST14614-1	UNIVERSAL BUSHING	1
4	9ST14370-3	CONDUIT LOCKNUT	1
5	9SS19999	CORD GRIP CONNECTOR	1
6A	9SL16727	BRICKWORK PANEL	1
	9SS9225-99	SELF TAPPING SCREW	4
7	9SM24995-1	REAR HANDLE SUPPORT	1
8A	9SG6525-3	HANDLE	1
8B	9SS9225-66	SELF TAPPING SCREW	4
	9SS9225-99	SELF TAPPING SCREW	2
	9SS9262-182	PLAIN WASHER	2
	9SS9225-100	SELF TAPPING SCREW	2
10A	9ST12287-38	CIRCUIT BREAKER	1
	9SS22061-2	SEALING BOOT	2
11A	9ST12287-39	CIRCUIT BREAKER	1
	9SS22752-31	RATING PLATE	1

Case Back Assembly

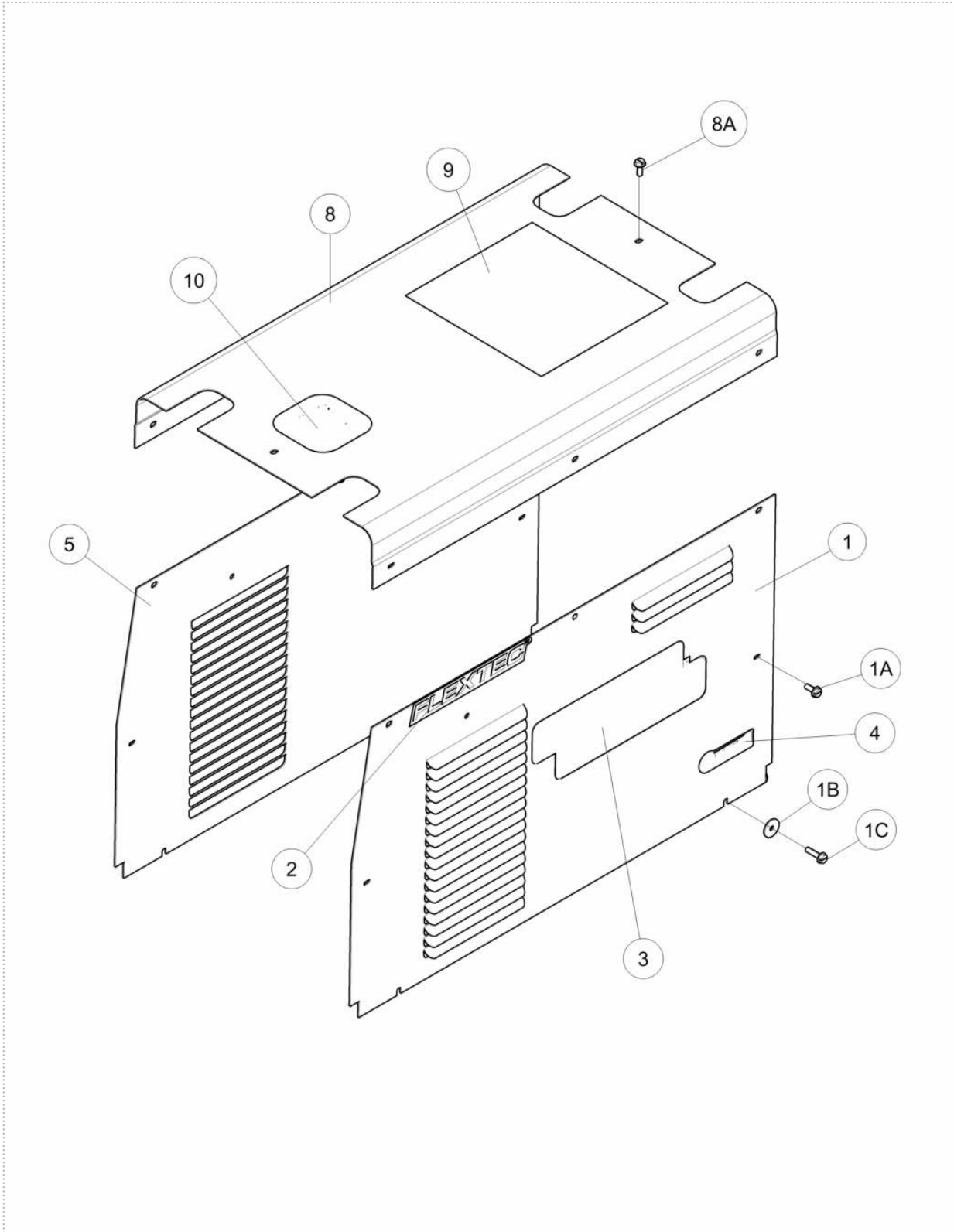


P-1130-F.jpg

Wraparound Assembly

KEY	PART NUMBER	DESCRIPTION	QTY
1	9SG8161	LEFT CASE SIDE	1
1A	9SS9225-99	SELF TAPPING SCREW	3
1B	9SS9262-182	PLAIN WASHER	2
1C	9SS9225-100	SELF TAPPING SCREW	2
2	9SM22461	FAMILY NAME DECAL	1
3	9SS27368-3	LOGO DECAL	1
4	9SS28039-2	DECAL GREEN INITIATIVE	1
5	9SG8162	RIGHT CASE SIDE	1
	9SS9225-99	SELF TAPPING SCREW	3
	9SS9262-182	PLAIN WASHER	2
	9SS9225-100	SELF TAPPING SCREW	2
	9SM22461	FAMILY NAME DECAL	1
	9SS27368-3	LOGO DECAL	1
8	9SG8160	ROOF	1
	9SG8141-6	WIRING DIAGRAM	1
8A	9SS9225-99	SELF TAPPING SCREW	8
9	9SS20601-5	WARNING DECAL	1
10	9SS30277-2	WARRANTY DECAL	1

Wraparound Assembly

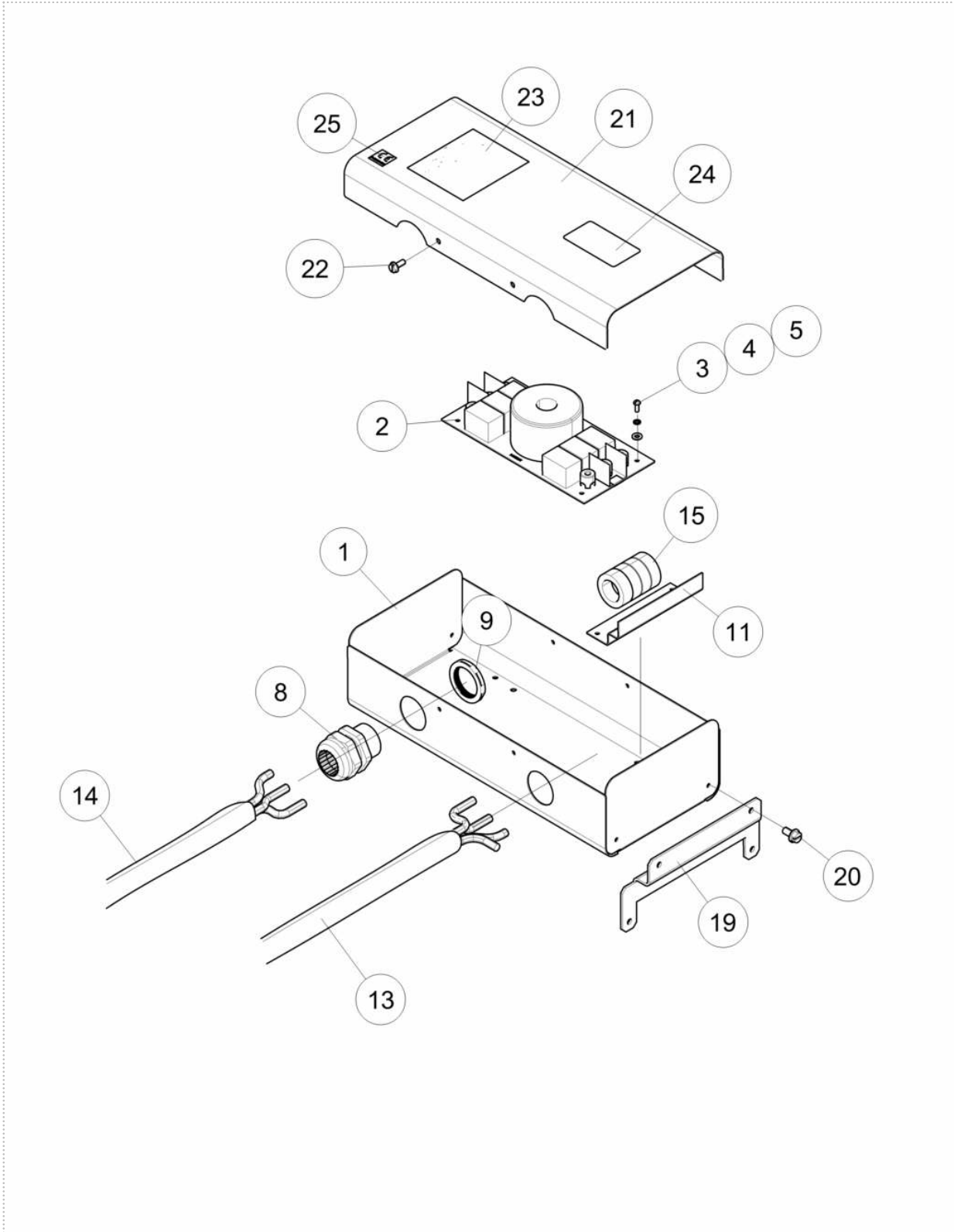


P-1130-G.jpg

CE Filter Assembly

KEY	PART NUMBER	DESCRIPTION	QTY
1	9SL16934-1	BASE	1
2	9SL16294-1	CE FILTER PC BD	1
3	9SS9262-3	PLAIN WASHER	4
4	9ST4291-A	LOCKWASHER	4
5	9SCF000003	#6-32X.375RHS	4
	9SCF000010	#10-24HN	4
	9SE106A-1	LOCKWASHER	1
8	9SS19999	CORD GRIP CONNECTOR	2
9	9SS31643-3	NYLON LOCKNUT 1" NPT	2
	9ST13260-4	DECAL-EARTH GROUND CONN	1
11	9SS31837	TOROID BRACKET	2
	9SS8025-92	SELF TAPPING SCREW	4
13	9SS24992-10	INPUT CORD	1
14	9SS24992-11	OUTPUT CORD	1
15	9SS19316-7	TOROIDAL CORE	8
	9SS9262-27	PLAIN WASHER	2
	9SE106A-1	LOCKWASHER	2
	9SCF000010	#10-24HN	2
19	9SS31836	MOUNTING BRACKET	2
20	9SS9225-92	THREAD FORMING SCREWCUTTING(1/4-20X.50)	4
21	9SL16933-1	TOP COVER	1
22	9SS9225-99	SELF TAPPING SCREW	4
23	9ST13259-2	GROUNDING DECAL	1
24	9SS18469	DECAL-WARNING	1
25	9ST13086-130	CONFORMITY DECAL	1

CE Filter Assembly



P-1130-H.jpg